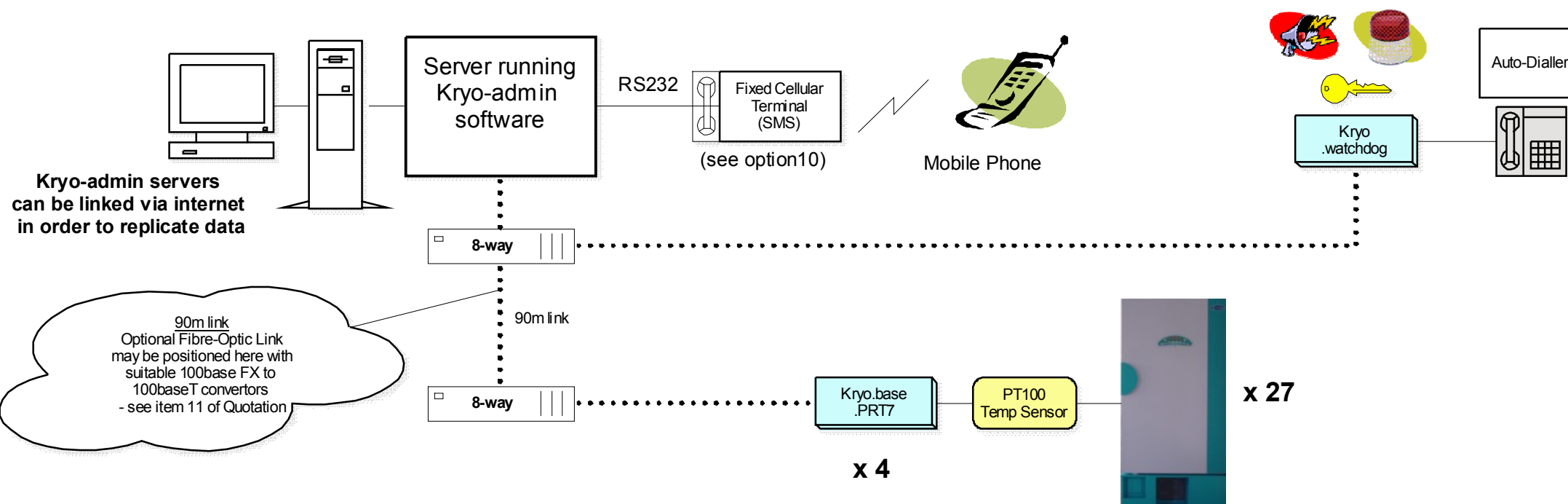


**Site 1**

**Site 2**



TITLE:

**Kryo-admin  
Web Enabled Monitoring  
Example of Upright Freezer  
monitoring in production  
facility**

KEY:

..... LAN - Local Area Network

----- Electrical Interface



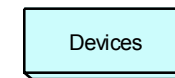
Audible Alarm



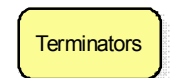
Visible Alarm



Keyswitch

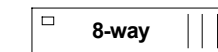


Devices

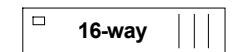


Terminators

3Com Dual Speed Switches



8-way



16-way

PLANER CONTACT:  
Peter Silverwood  
+44(0)1932 755 010  
peter.silverwood@planer.co.uk

CLIENT CONTACT: